

Aidite

TECHNICAL PARAMETERS

| | |
|---------------------|--|
| LCD Screen | 10.1-inch 16K high-transparency screen |
| Light Source System | 405nm COB light source + Fresnel lens |
| Build Volume | 211X118X100mm |
| Resolution | 15120X6230 |
| Pixel size | 14X19µm |
| Layer Height | 0.05-0.1mm |
| Printing Speed | Max. 35mm/h |
| Chamber heating | Temperature range 20-35°C |
| Printing Platform | Quick-release design, Hard-anodized build platform |
| Printing Tank | Quick-release design, High-temperature UV-resistant release film |
| Touch Screen | 5-inch color screen |
| File Format | STL, OBJ |
| Data Transmission | USB, WIFI |
| Input voltage | 100-240V, 50/60Hz |
| Rated Power | 650W |
| Printer Size | 440x400x536mm |
| Printer Weight | 23kg |

EZPRINT-F1

16K resolution | 95% light uniformity
Large format high-speed printing



Aidite

Aidite (Qinhuangdao) Technology Co.,Ltd.
Tel: +86-400-003-1233
Web: www.aidite.com
Email: info@aidite.com
V1-251120



Everyone with a healthy and beautiful smile

ULTRA-HIGH PRECISION DENTAL LCD 3D PRINTER



Ultra high precision

16K ultra-high-resolution LCD printing screen, 14 X 19 μ m pixel size, restoring design details



Overall uniform lighting

High-power light source system combined with light intensity calibration technology, achieves 95% light uniformly to control ensuring full-size printing consistency



Efficient production

Large-size platform with high-speed printing technology to meet mass production needs



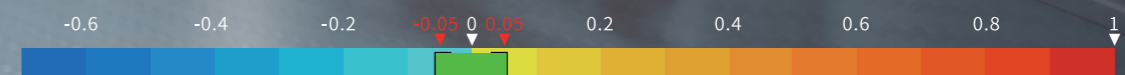
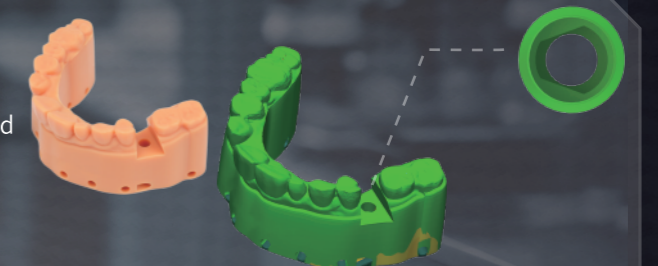
Easy to use

One-touch automatic slicing and printing, quick-release platform and resin tank, constant temperature control



EASILY MEET THE NEEDS OF RESTORATIONS

- The crown fits accurately without looseness
- Fit adjustments for analogs in implant models
- 90% overlap rate between dental model and design file*1
- Model deformation rate <3% after 15 days*2



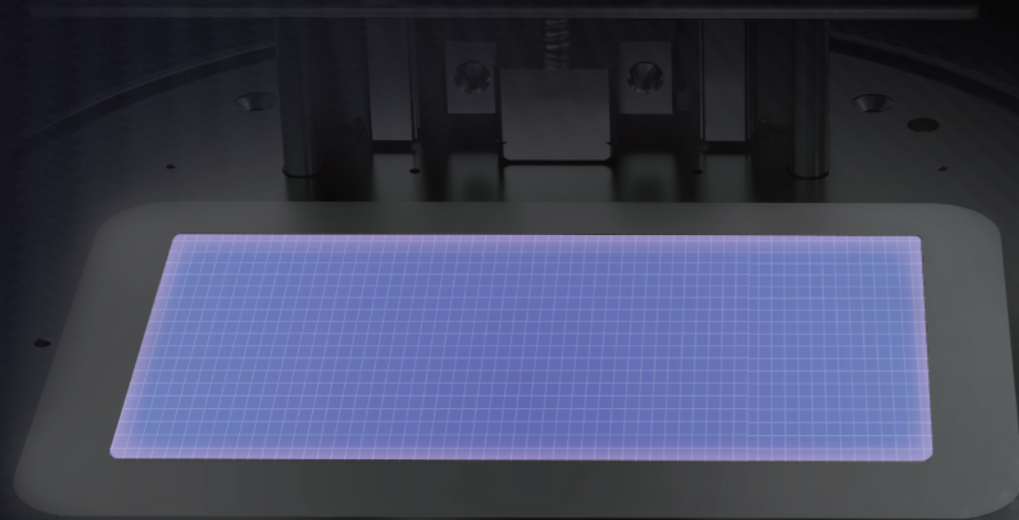
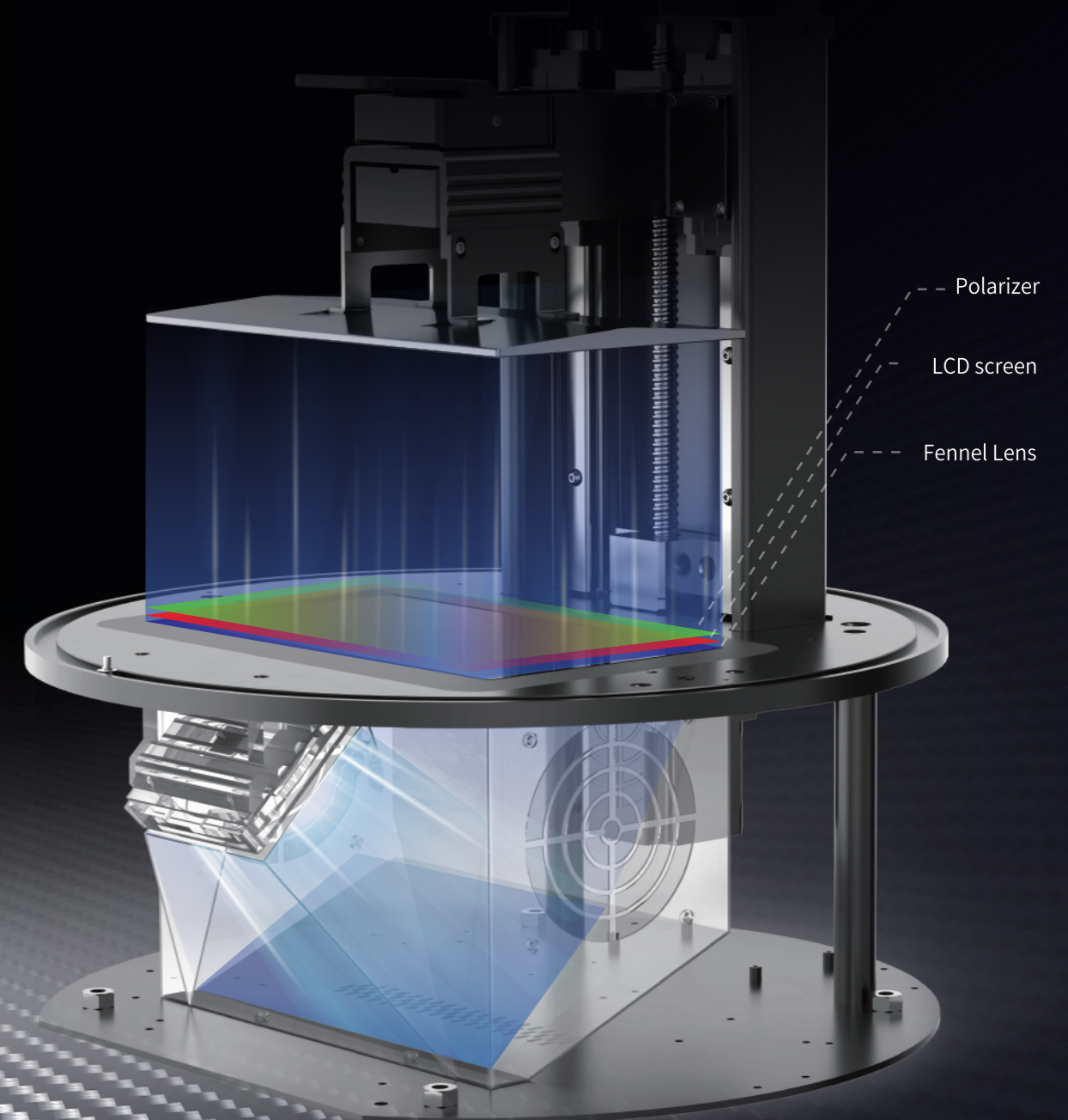
*1: Scanning after the dental model is printed, and comparing with the design model data
*2: Scanning after the dental model is printed, and scanning again after 15 days, compare these two data, the overlap rate value under the tolerance of 0.05mm is $\geq 97\%$.

UNIFORM AND CONSISTENT PRINTING

- **Integrated area light source (COB)**
High energy, excellent uniformity, comparable to DLP light source life
- **Fresnel lens**
Precisely control the light direction to achieve collimation and improve screen transmittance
- **Pre-set polarizer**
Increase transmittance and contrast, extend the service life of screen
- **16K Print screen**
Increase transmittance and contrast, extend the service life of screen

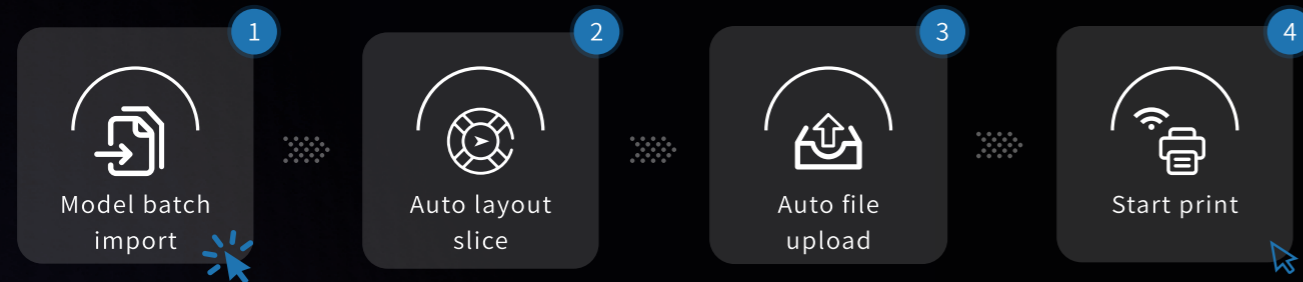
Print consistency of the same model between batches **95%**

Light uniformity **95%**



UNLOCKING THE ACCELERATION OF EFFICIENT PRODUCTION

One-touch automatic slicing and printing



• Model editing:

hollowing, cutting, punching, filling, labeling

• Layout:

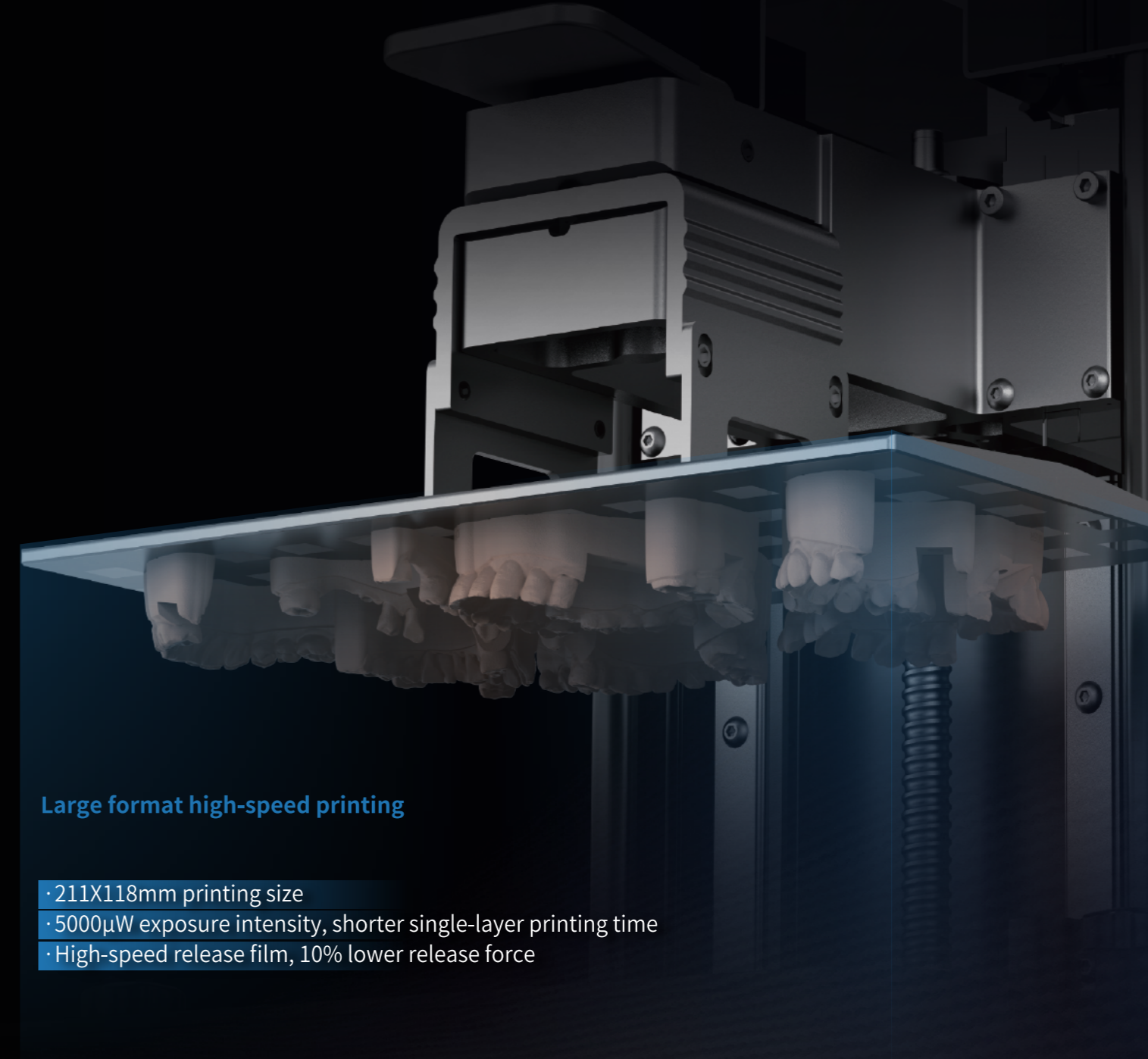
auto orientation, auto support addition, support parameter setting

• Detection and repair:

model defect, collision, cavity, overhang detection

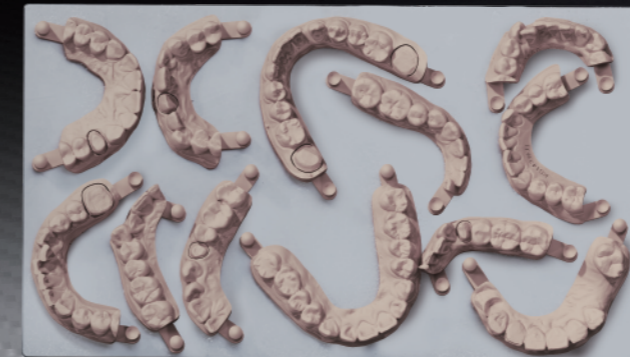
• Algorithm optimization:

material compensation algorithm, feature compensation algorithm



Large format high-speed printing

- 211X118mm printing size
- 5000 μ W exposure intensity, shorter single-layer printing time
- High-speed release film, 10% lower release force



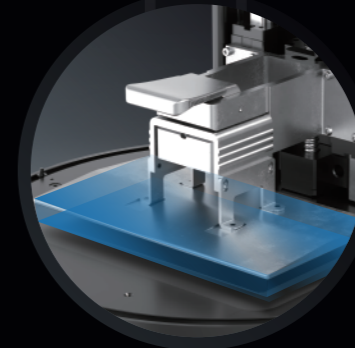
Restoration dental model

Print 12 models in 30 minutes

THINK OF THE DETAILS



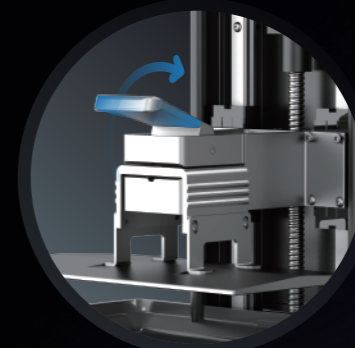
Safety door lock
Protect the operator's personal safety



Ready to use out of the
Factory pre-leveling



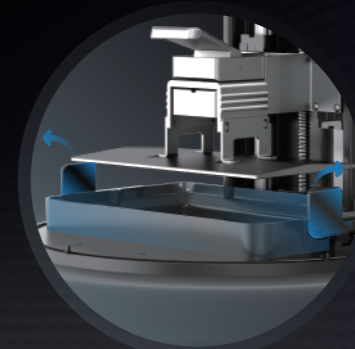
Dual linear guide with ball screw
Eliminate Z-axis swing and improve stability



Quick-release platform for
easy model removal



Laser engraving sandblasting oxidation
platform with strong adhesion



Quick-release resin tank for
fast application switching



Sandblasting oxidation process
Strong adhesion to the platform

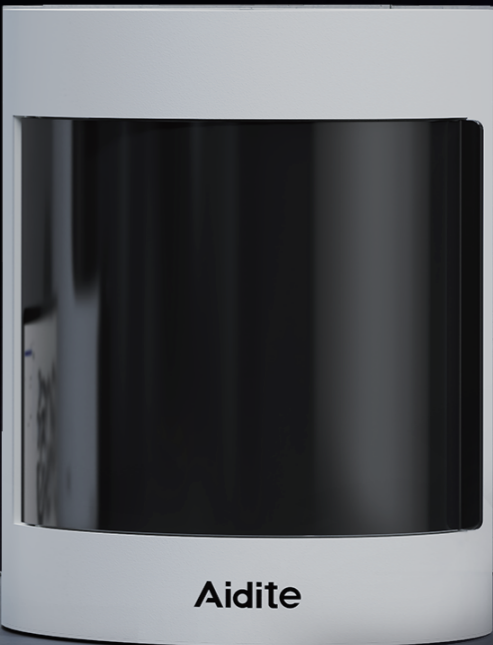


Transmission via WIFI and USB,
suitable for different usage scenarios



Chamber thermostatic
control system to maintain
resin activity and fluidity

AIDITE DENTAL 3D PRINTING SOLUTIONS



restoration model



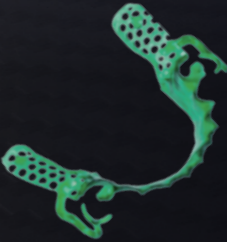
Tryin



Orthodontic model



Surgical guide



Casting wax